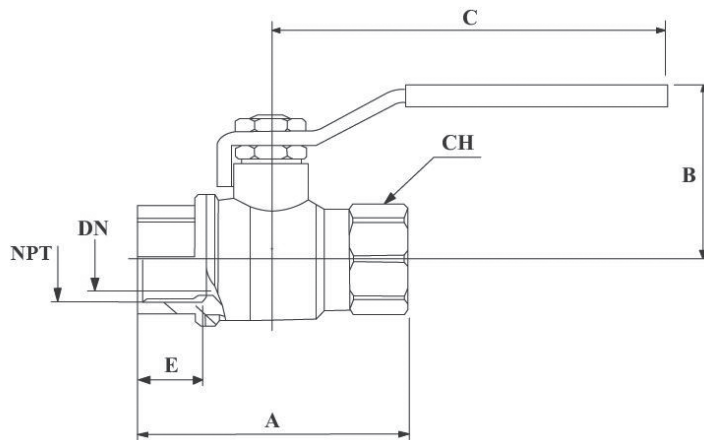
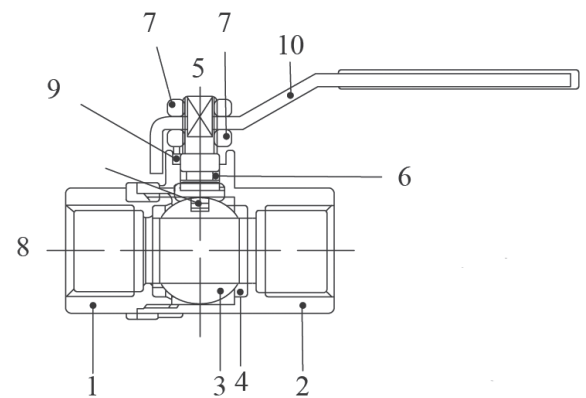


Full Port Ball Valves - Female X Female

PCS Company offers Forged Brass Full Port Ball Valves – Female X Female which are suitable for a full range of liquids and gases. PCS Company’s ball valves offer minimal pressure drop due to large full-size ports, and a bottom-loaded, pressure-retaining stem. Available in thread sizes 1/4" to 2".

Features:

- Female X Female
- Pressure rated at 600psi (42 bars) WOG
- Fast 1/4 turn open or close operation
- Low operating torque
- Operating temperature -22°F to 302°F
- Self-cleaning, chromium-plated solid brass ball for maximum durability
- Forged Brass for higher strength
- Deeper threads - for better connection
- Thread ends to ANSI B1.20.1
- Not Lead Free



POS	Components	Materials
1	Body	Forged Brass
2	End Connection	Forged Brass
3	Ball	CP Brass
4	Ball Seat	P.T.F.E.
5	Stem	Brass
6	Gland	Brass
7	Nut	Steel
8	Spring Inseat	Steel
9	Stem Seal	P.T.F.E.
10	Handle	Steel

Name	Size (NPT)	DN	A	B	C	E	CH
BV4	1/4"	0.39	1.75	1.92	3.54	0.45	0.78
BV6	3/8"	0.41	1.75	1.92	3.54	0.45	0.78
BV8	1/2"	0.58	2.50	2.08	3.54	0.52	0.98
BV12	3/4"	0.75	2.36	2.30	3.78	0.56	1.20
BV16	1"	0.94	2.75	2.68	4.52	0.66	1.50
BV20	1-1/4"	1.26	3.30	3.14	4.52	0.70	1.82
BV24	1-1/2"	1.57	3.66	3.61	5.51	0.72	2.09
BV32	2"	1.97	4.18	3.68	5.51	0.74	2.62